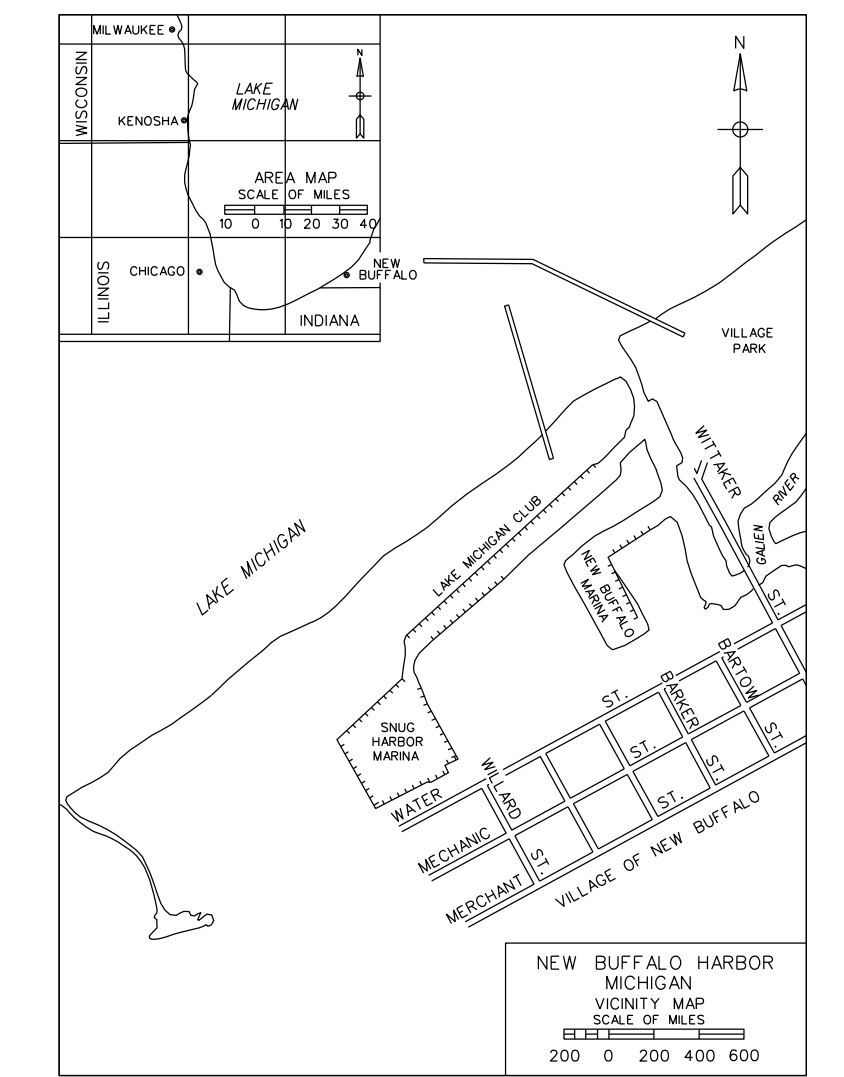
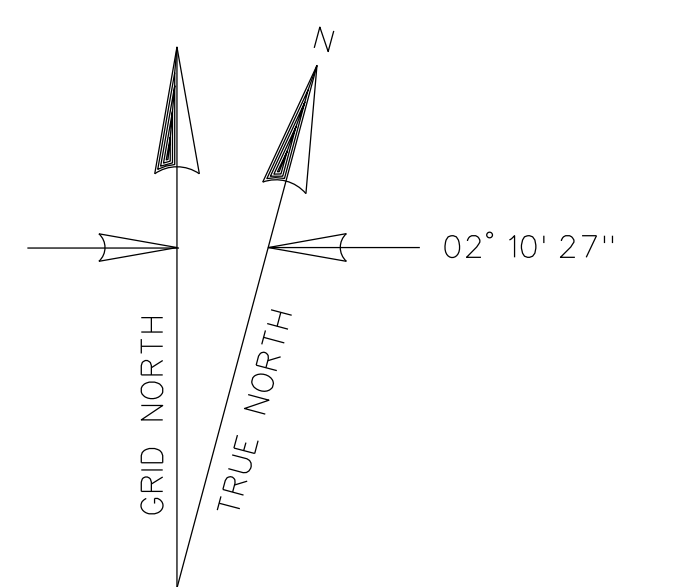


N 120,000

N 120,000

DATE OF PHOTOGRAPHY  
21 AUGUST 1991



THE INFORMATION DEPICTED ON THIS MAP REPRESENTS THE RESULTS OF SURVEYS MADE ON THE DATES INDICATED AND CAN ONLY BE CONSIDERED AS INDICATING THE GENERAL CONDITIONS PRESENT AT THAT TIME.

ALL SOUNDINGS ARE REFERENCED TO IGLD 1985 FOR LAKE MICHIGAN, ELEVATION 577.5 FT. ABOVE MEAN SEA LEVEL AT RIMOUSKI, QUEBEC.

HORIZONTAL GRID DATUM BASED ON MICHIGAN STATE PLANE COORDINATE SYSTEM, LAMBERT PROJECTION, SOUTH ZONE (2153), NORTH AMERICAN DATUM 1983, U.S. FOOT.

VERTICAL WATER LEVEL READINGS WERE TAKEN FROM A FIXED GAGUE MARK ALONG THE SHEET STEEL WALL NEAR CROSS SECTION 4+50 IN NEW BUFFALO HARBOR, MI.

SCALE: 1" = 100'  
100' 0 100'

C/S 30+00.4

C/S 20+70.2

C/S 18+82.2

PROJECT DEPTH 10 FEET

PROJECT DEPTH 8 FEET

C/S 6+20.1

C/S 0+00

N 119,000

N 119,000

LAKE MICHIGAN

CHANNEL LINE CONTROL POINTS		
STATION	NORTH (Y)	EAST (X)
11	117709.43	12474306.29
12	118253.03	12474013.98
13	118859.44	12473794.07
14	119340.36	12473361.61
15	119347.09	12473156.68
16	119267.13	12473154.06
17	119088.50	12473426.69
18	118817.53	12473724.17
19	118220.28	12473940.76
20	117671.55	12474235.83
21	117690.49	12474271.06
22	118236.65	12473977.37
23	118838.49	12473759.12
24	119300.94	12473343.27
25	119307.11	12473155.37
26	119377.62	12472226.99
27	119297.66	12472224.37
28	119337.64	12472225.68

PROJECT DEPTH 10 FT.  
PROJECT DEPTH 8 FT.

CHANNEL LIMITS SHOWN THUS: ---  
10 FT. CONTOUR SHOWN THUS: ---  
8 FT. CONTOUR SHOWN THUS: ---

SURVEYED ON: 28 APRIL 2015  
POSITIONING METHOD: DGPS, USING C.G. BEACON CORRECTIONS  
VESSEL: LAUNCH 3033

NO.	DATE	REVISION	BY
<b>U.S. ARMY ENGINEER DISTRICT, DETROIT</b> <b>CORPS OF ENGINEERS</b> DETROIT, MICHIGAN			
DRAWN BY:		<b>NEW BUFFALO HARBOR, MICHIGAN</b> <b>CONDITION OF CHANNEL</b> <b>APRIL 2015</b> <b>GRAND HAVEN AREA OFFICE</b>	
DESIGNED BY:			
CHECKED BY:			
REVIEWED BY:			
SUBMITTED:			
APPROVED:		APPROVAL RECOMMENDED:	
CHIEF, ENG'G BRANCH		CHIEF, GFS BRANCH	
DATE		DATE	
SCALE 1" = 100 FT.		SCALE 1" = 100 FT.	
SHEET 1 OF 1		CADD FILENAME: NBC01015.DGN DRAWING NUMBER	

N 118,000

N 118,000

E 12,472,000

E 12,473,000

E 12,474,000

E 12,475,000